

48'-1"

38'-10"

TIN ROOF  
HEX  
80206  
ROOF EXTENSION  
(24" w/RIVET)  
80167(6)

WILDERSLIDE II  
SINGLE SPIRAL  
90842

CHAIN LINK  
CLIMBER  
90247  
ARCHWAY w/  
SOCKET  
(TIMBERS)  
91157

CONIFER POST  
TOPPER  
80198  
ROOF EXTENSION  
(36" w/INSERT)  
80183(1)  
LEAF SEAT  
81766

THUNDERRING  
HALF PANEL  
(BELOW DECK)  
90525

SINGLE  
WILDERSLIDE II  
90700  
90762  
90703  
90705  
90705  
90709

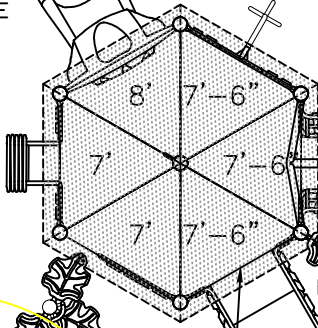
HANDHOLD PACKAGE  
w/KICKPLATE  
80687

FUNNEL BRIDGE  
(TIMBERS)  
2 DECK SPAN  
91211  
OVERHEAD TREE  
CLIMBER  
(LINK)  
81530

CONIFER POST  
TOPPER  
80198  
ROOF EXTENSION  
(36" w/INSERT)  
80183(1)

TRANSFER SYSTEM  
(TIMBERS)  
(2'6" RISE)  
91202

FLANK CLIMBER  
91184  
CLIMBER ENTRYWAY  
(TIMBERS)  
91151



LEAF SEAT  
81766

TREE CLIMBER  
90118  
ARCHWAY w/  
SOCKET  
(TIMBERS)  
91157

TIN ROOF  
HEX  
80206  
ROOF EXTENSION  
(24" w/RIVET)  
80167(6)

OFFSET  
DOUBLE VINE  
CLIMBER LINK  
90154  
CLIMBER OFFSET  
ENTRYWAY  
(TIMBERS)  
91333

STORE PANEL  
(ONE COLOR)  
(BELOW)  
90354

FLOWER TALK TUBE  
(5-12)  
90013

VINE CLIMBER  
LOW  
38010

CONIFER POST  
TOPPER  
80198

LEAF SEAT  
81766

RIVER ROCK CLIMBER  
90369  
CLIMBER ENTRYWAY  
(TIMBERS)  
91151

TRANSFER SYSTEM  
(TIMBERS)  
(2'6" RISE)  
91202

BUTTERFLY  
CLIMBER  
90750

DIAMOND WEB  
CLIMBER  
90002  
ENTRYWAY  
(TIMBERS)  
91150  
ENTRYWAY  
(TIMBERS)  
91150

HANDHOLD PACKAGE  
w/KICKPLATE  
80687

SWERVE ZIP  
SLIDE  
(LEFT)  
90653

CONIFER POST  
TOPPER  
80198  
ROOF EXTENSION  
(36" w/INSERT)  
80183(1)

TRANSFER PLATFORM  
(TIMBERS)  
91179

FLOWER TALK TUBE  
(2-5, or 5-12)  
38217